

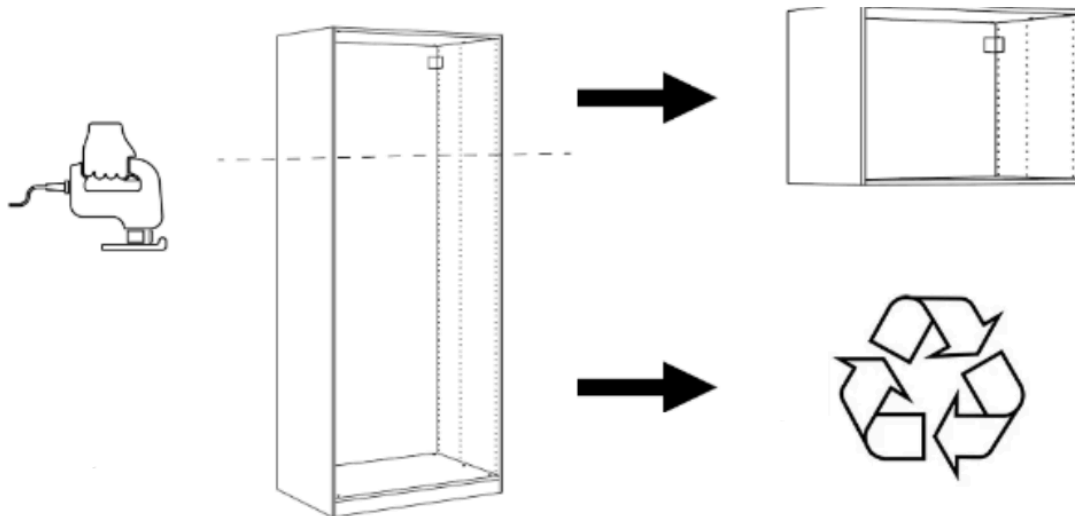
IKEA PAX Wardrobe Top Cabinets Guide

Installation of top cabinets

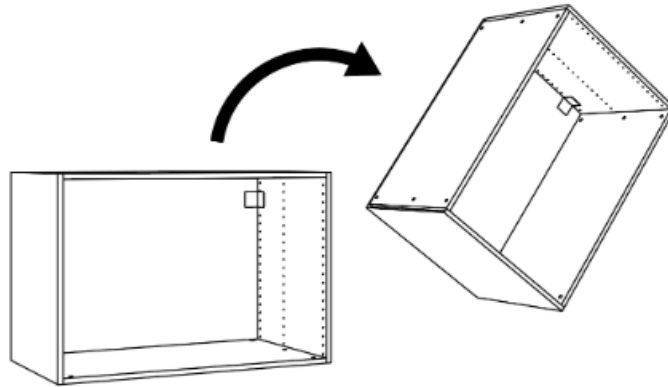
Top cabinets are extensions that are added to the top of IKEA PAX wardrobes to increase their height and storage capacity. Each 201 cm PAX wardrobe only allows for one top cabinet to be manufactured due to its asymmetrical design that limits reuse to only the top part of the wardrobe. Although this means that the rest of the wardrobe cannot be fully utilized for more top cabinets, we trust in your creativity and DIY skills to repurpose the leftover materials.

Assembly of top cabinets

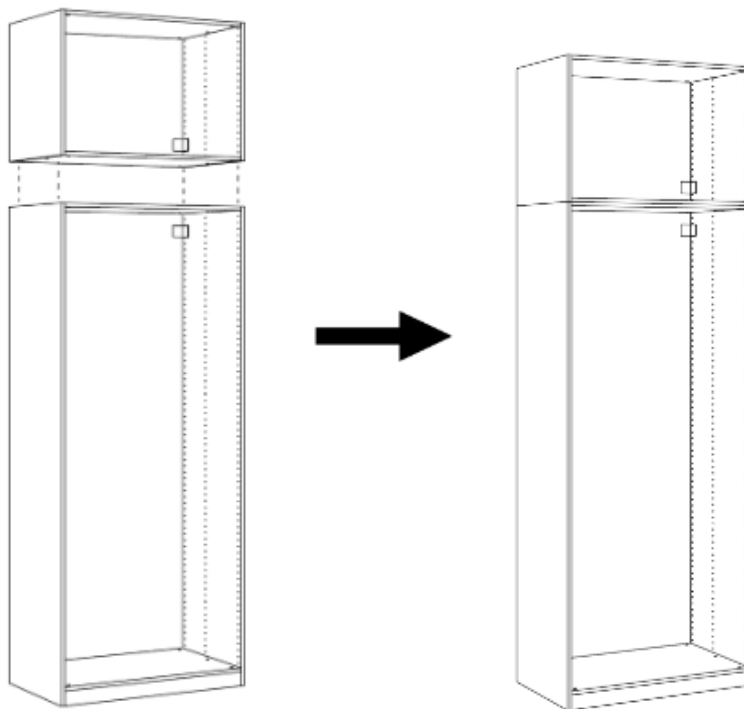
Step 01: For the assembly of top cabinets, we will use a second 201 cm high PAX wardrobe, cut from its bottom by a height equal to what we want to add to the original furniture.



Step 02: Once the PAX is cut, we will turn it upside down, making the top cover the base of the top cabinet. In this way, the cut of the wardrobe will be on the top area, and the joining of both shells will be cleaner and more precise.



Step 03: The top cabinets are screwed from the "new base" to the lower PAX and also between them, to achieve a completely compact and solid structure.



ADDITIONAL INFORMATION

The height of the doors for these top cabinets will be custom-made, and the cups for the hinges will be placed depending on the height of the cut top cabinet.

Note: For a design like the one in the attached photo, we recommend making a plasterboard recess around the wardrobe structure so that it is flush-mounted. Keep in mind that you should always leave 2 cm of space to the ceiling to ensure that the doors can open and not interfere with light fixtures, or eventual irregularities in the flatness of the ceiling.